



Submission Data: UMAT30HP230V1AC 30,000 BTUH Ceiling Cassette Heat Pump System

Job Name _____ **Location** _____ **Date** _____

Purchaser _____ **Engineer** _____

Submitted To _____ **For** Reference Approval Construction

Unit Designation _____ **Schedule No.** _____

- GENERAL FEATURES**
- Multi-Speed Fan
 - 4-way Discharge Air
 - Internal Condensate Drain Pump
 - Wireless Remote Controllers
 - Power Failure Recovery
 - Sentry Condensate Overflow Protection
 - Decorative Grille (Part# UMAT30GRILLE -Sold Separately)
 - 5 yr. Limited Parts Warranty
 - 7 year Limited Compressor Warranty



System Ratings

| | |
|--------------------------------|--------------------|
| Cooling | |
| Rated Capacity | 28,200 BTU/H |
| Capacity Range | 8,800-31,400 BTU/H |
| Power Input (Max) | 3,700 W |
| SEER | 20.0 |
| EER | 10.4 |
| Heating at 47° F | |
| Rated Capacity | 31,200 BTU/H |
| Capacity Range | 8,200-33,600 BTU/H |
| Power Input (Max) | 3,500 W |
| HSPF | 9.0 |
| COP | 3.7 |
| Heating at 17° F | |
| Rated Capacity | 16,700 BTU/H |
| Operating Range | |
| Cooling | (Max) 118°F (48°C) |
| | (Min) 0°F (-18°C) |
| Heating | (Max) 75°F (24°C) |
| | (Min) 0°F (-18°C) |
| Refrigerant Piping Data | |
| Gas Pipe Size (OD) | 5/8-in |
| Liquid Pipe Size (OD) | 3/8-in |
| Connection Method | Flared |
| Factory Charge | 84.8 oz |
| Additional Charge | 0.6 oz/ft |
| Pre-Charge Length | 25-ft |
| MAX Refrigerant Pipe Length | 164-ft |
| MIN Refrigerant Pipe Length | 10-ft |
| MAX Refrigerant Pipe Elevation | 49-ft |

Indoor Unit Data

| | | |
|---------------------------------------|----------------------------|---------------------------|
| Fan Motor | Output Power | 1/5HP |
| | FLA | 0.9 A |
| Airflow | | |
| | Cooling Wet (Lo/Hi) | 587/880 CFM |
| | Heating Dry (Lo/Hi) | 587/880 CFM |
| Air Throw (max) | | 14.75 ft |
| Sound Level | | |
| | Cooling (Min/Max) | 40/48 dB(A) |
| | Heating (Min/Max) | 40/48 dB(A) |
| Dehumidification | | 1.42 pt/hr |
| Condensate Drain Lift (Height) | | 33 in |
| Power Supply | | |
| | Normal Operational Voltage | 208/230 V, 1 Phase, 60 Hz |
| | Voltage Range | 187 - 253 V |
| | Interconnecting Wire Size | 18-2 AWG / 300V THNN |
| | MCA | 1.5A |
| | MOCP/Breaker Size | 15A |

Outdoor Unit Data

| | | |
|-------------------------|----------------------------|---------------------------|
| Compressor | | DC Inverter Driven Rotary |
| | RLA | 18.0 A |
| Refrigerant Type | | R410A |
| Fan Motor | Output Power | 1/6HP |
| | FLA | 1.5 A |
| Sound Level | | |
| | Cooling/Heating | 58/58 dB(A) |
| Power Supply | | |
| | Normal Operational Voltage | 208/230 V, 1 Phase, 60 Hz |
| | Voltage Range | 187 - 253 V |
| | Main Supply Wire Size | 10 AWG |
| | MCA | 24.0A |
| | MOCP/Breaker Size | 40 A |



SYSTEM FEATURES

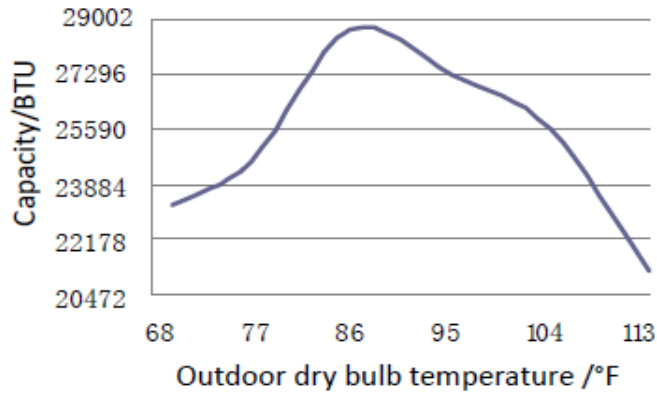
| | |
|------------------------------------|---------------|
| Inverter Type | G10 |
| Ultra Low Frequency Torque Control | Yes |
| Power Factor Correction | Yes |
| Compressor Type | Rotary |
| Refrigerant Type | R410A |
| Basepan With Electric Heater | YES |
| Compressor With Electric Heater | NO |
| Outdoor Fin Coating | Acrylic Resin |
| Intelligent Defrosting | YES |
| Intelligent Preheating | YES |
| Low Voltage Startup | YES |
| Memory/Power Failure Recovery | YES |
| Self Diagnosis | YES |
| Low Ambient Cooling | YES |
| Internal Condensate Pump | YES |
| XK60 Wired Controller Interface | YES |
| Wi-Fi Interface | NO |
| Indoor Fan Type | Crossflow |
| Multi Fan Speeds | 7 Speeds |
| LED Display Indoor Unit | YES |
| Advance Filter | Optional |
| Auxiliary Electrical Heater | NO |
| Ventilation (Outdoor Air) | NO |

REMOTE CONTROLLER FUNCTIONS

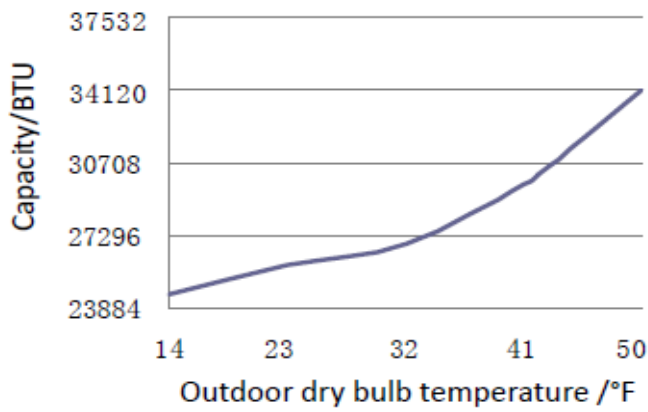
| | |
|------------------------------------|-----|
| Auto Mode | YES |
| Auto Fan | YES |
| Auto Swing (Horizontal Auto Swing) | YES |
| Auto Swing (Vertical Auto Swing) | YES |
| Clock on Remote Controller | YES |
| Dry Mode | YES |
| Dry Anti-Mildew (X-Fan) Mode | YES |
| Energy Saving Mode | NO |
| Dirty Filter Alert | NO |
| I Feel Function | YES |
| Lock on Remote Controller | YES |
| Quiet Mode | YES |
| Room Temperature Display | NO |
| Sleep Mode | YES |
| 4 Sleep Modes Options | YES |
| Timer Mode | YES |
| Turbo Mode | YES |
| Display On/Off Control | YES |
| Freeze Guard Mode | YES |

EXTENDED RATINGS

COOLING PERFORMANCE

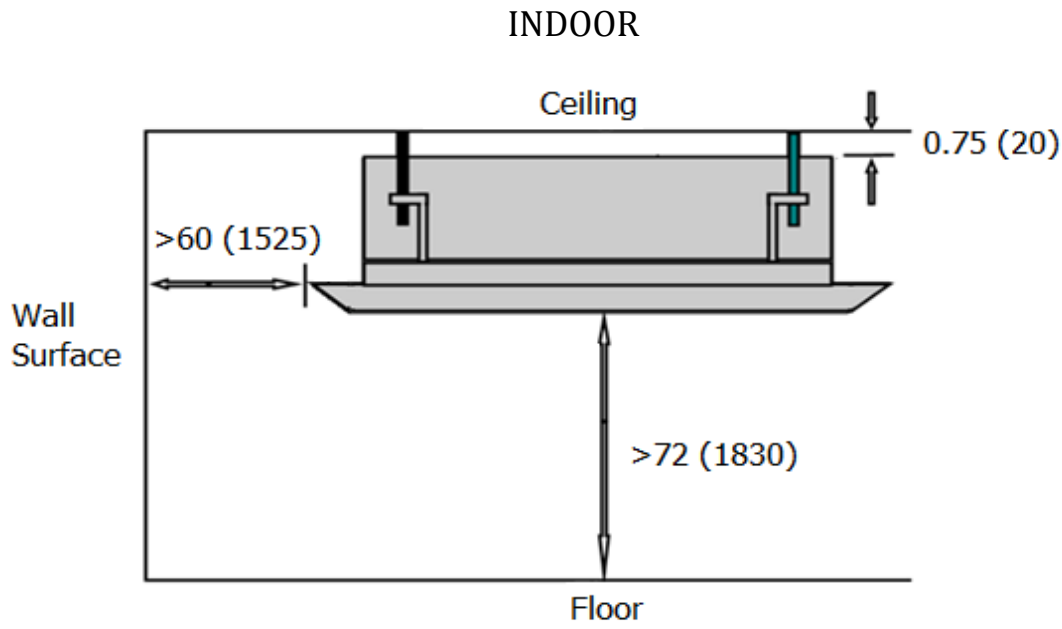


HEATING PERFORMANCE

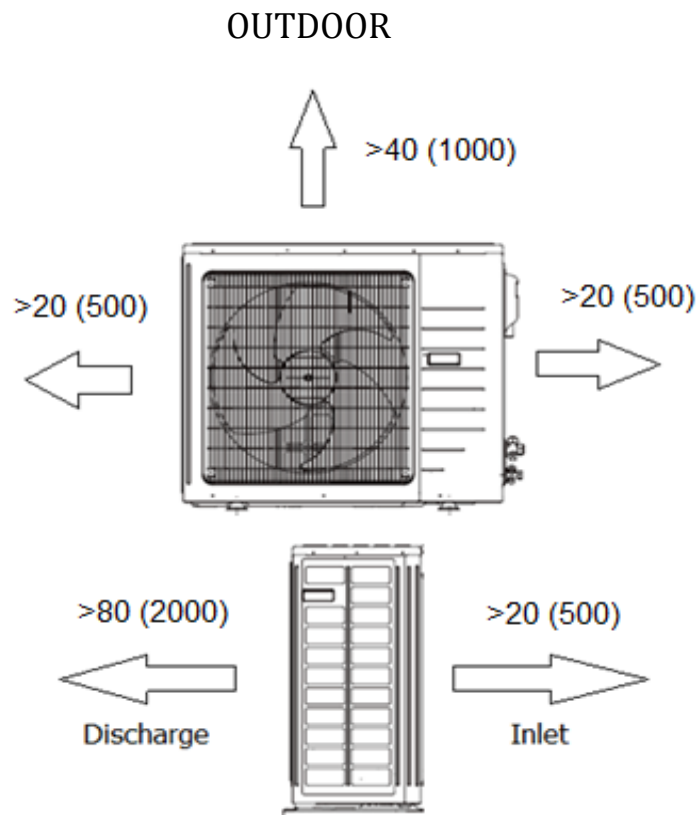


MINIMUM SPACING REQUIREMENTS

Units: inch (mm)

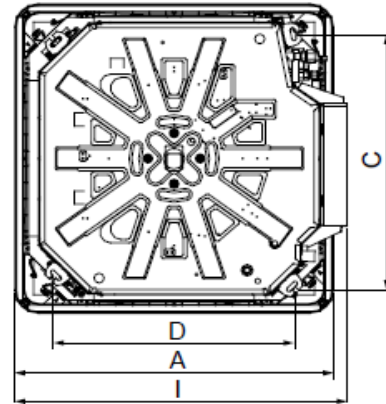
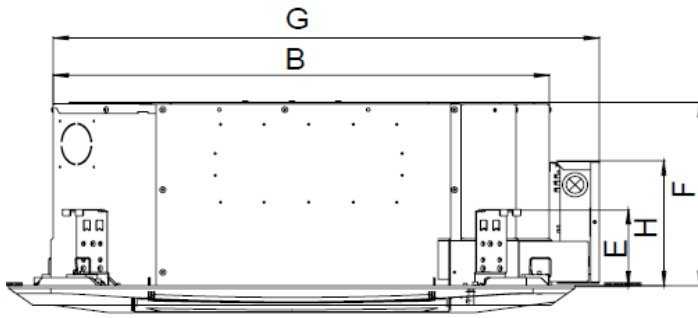


Units: inch (mm)



INDOOR UNIT DIMENSIONS & WEIGHTS

Units: inch (mm)



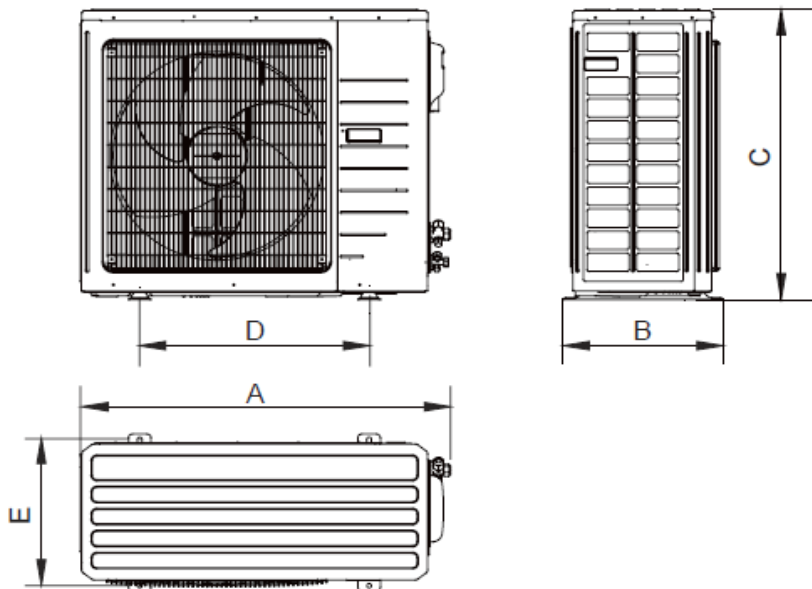
| A | B | C | D | E | F | G | H | I |
|-----------------|----------------|----------------|----------------|---------------|--------------|-----------------|--------------|-----------------|
| 37.375 (950) | 32.75 (833) | 30.75 (780) | 26.75 (680) | 6.25 (160) | 9.5 (240) | 36.125 (917) | 8.5 (215) | 39.125 (993) |

| | |
|-------------------|------------------|
| Liquid Line Valve | 3/8-in OD Flared |
| Gas Line Valve | 5/8-in OD Flared |
| Drain Connector | 1-in OD |

| | |
|-----------------|----------|
| Net Weight | 70.4 lbs |
| Shipping Weight | 96.8 lbs |

OUTDOOR UNIT DIMENSIONS & WEIGHTS

Units: inch (mm)



| | |
|---|--------------|
| A | 38.625 (980) |
| B | 16.75 (427) |
| C | 31.125 (790) |
| D | 24.0 (610) |
| E | 15.5 (395) |

| | |
|-----------------|-----------|
| Net Weight | 158.4 lbs |
| Shipping Weight | 169.4 lbs |

| | |
|-------------------|------------------|
| Liquid Line Valve | 3/8-in OD Flared |
| Gas Line Valve | 5/8-in OD Flared |

Notes:

1. Recommended Communication Wire Type 18-2 AWG Stranded Copper THHN 300V Wire
2. Power wiring size must comply with applicable national and local codes.
3. Test conditions are based on AHRI 210/240.

Specifications are subject to change without notice. Manufacturer reserves the right to discontinue or modify specifications or designs without notice or without incurring obligations. All rights reserved.